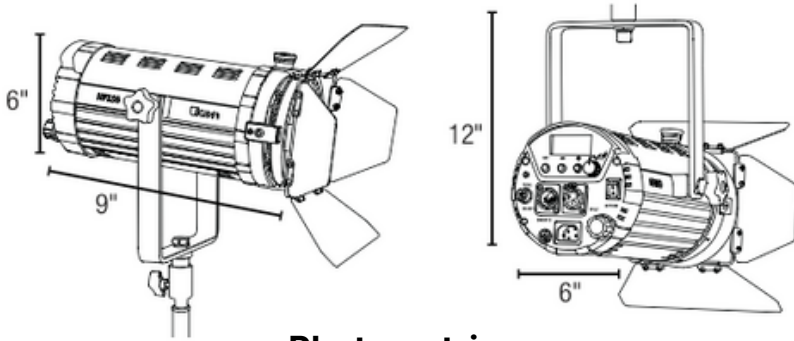


Helia 150 Watt 4" Fresnel Bi-Color LED Studio Light with DMX and 8 Leaf Barn Doors

The Helia HF150 is a 4" Fresnel light with an 150W output and a bi-color range from 3200K to 5600K. Equipped with an 8-leaf barn door, the Helia HF150 provides enhanced light control, allowing you to sculpt your lighting with ease. Whether you prefer on-device control or DMX512 functionality, the Helia HF150 offers options to suit your workflow.



Photometrics

Distance	FC	LUX
3200K - Flood		
5ft. / 1.5m	131	1410
10ft. / 3m	42.2	454
15ft. / 4.5m	19.7	212
3200K - Spot		
5ft. / 1.5m	715	7700
10ft. / 3m	214	2300
15ft. / 4.5m	96.8	1040
5600K - Flood		
5ft. / 1.5m	163	1750
10ft. / 3m	48.8	526
15ft. / 4.5m	23.3	251
5600K - Spot		
5ft. / 1.5m	893	9610
10ft. / 3m	243	2610
15ft. / 4.5m	115	1237.8

Physical Data	
Beam Angle	20*70 Degrees
Fixture Dimensions	19 x 12 x 6 in / 48.3 x 30.5 x 15.2 cm
Fixture Weight	10 lb / 4.5 kg
Mechanical Data	
Build Material	Aluminum
Lens	4" Glass Fresnel
Mounting	Yoke, Supports Standard Stage Clamps
Stand Use	Baby 5/8" & Junior 1-1/8" Combo Pin w/ 90 Degree Offset
Barn Doors	Installed
Electronical Data	
Power Input	110-220VAC
Operating Voltage	110-220VAC
Frequency	50/60 Hz
Max Power Consumption	81 W
Color Temperature	Bi-Color 3200K-5600K
Power Loss	Last Scene Hold
LED Type	COB
CRI	97
TLCI	98
Functionality	
Input/Output Ports	DMX512 In/Out, IEC C13 Port
DMX	DMX512 5-Pin XLR
Dimming Range	0 - 100%
Cooling	Passive
LED Lifetime	70,000 Hours
Display	LCD Screen
Environmental Data	
Operation Temperature	10 - 110 °F